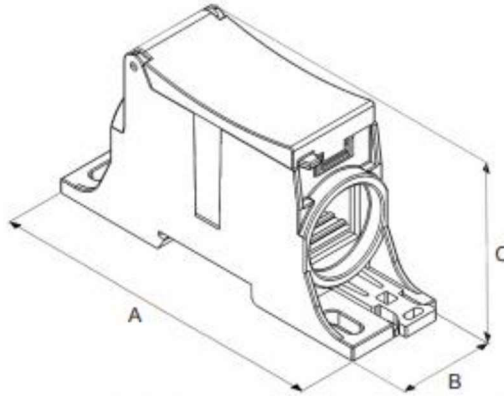


## Product Datasheet

### PTB6015



#### Main

Family	Power Terminal Blocks
Version	1 Pole
Code	PTB6015
Reference	PTB 125
Number per package	1
In(A)	125 A
Weight (Kg)	0.110
A (mm)	84
B (mm)	24
C (mm)	54
Continuous working temp. (°C)	Max +85 °C

## Technical Features

**Insulating body:** PA 6, UL 94-V0, gray RAL 7035

**Cover:** PC, UL 94-V2, transparent yellow, manually opening

**Conduction block:** tinned copper (suitable for aluminium and copper cable connections)

**Clamps:** galvanized steel and Al alloy

**Screws:** galvanized steel

Index protection IP10

Quick hook-up on DIN rails

**Compliant with standard EN 60947-7-1**

Maximum working temperature: +85 °C

Note: Possibility of connections with COFLEX or J-link with RPC3000



## Technical Data

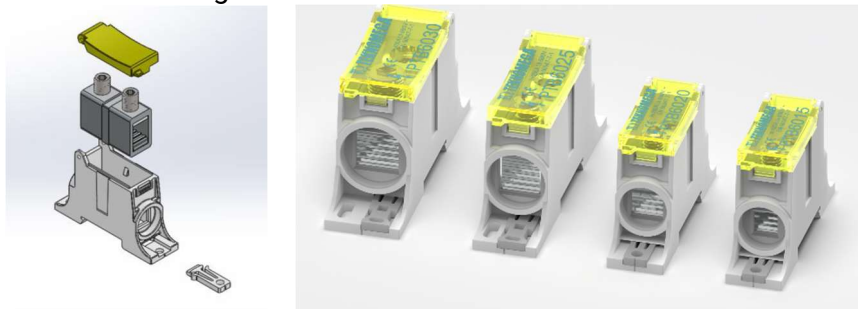
Type	1 Pole, 1 Outputs				
In: 125 A	No.	COFLEX* L (mm)	Stripped wire (mm <sup>2</sup> )	Wire with ferrule (mm <sup>2</sup> )	Torque (Nm)
IN →	1	3x9x0.8	25 to 35	10 to 35	10
← OUT	1	3x9x0.8	25 to 35	10 to 35	10
I <sub>cw</sub> (kA)	7.5				
I <sub>pk</sub> (kA)	31.6				
U <sub>i</sub> (V)	1000				

\*See COFLEX technical features

**I<sub>cc pk</sub>** = Short-circuit current peak value expressed in kA

**I<sub>cw</sub>** = Effective value of short-circuit current, duration equal to 1 second, expressed in kA as per standard IEC 60947-7-1

**U<sub>i</sub>** = Nominal Insulation voltage



Please contact Teknomega for non-specified tolerances.