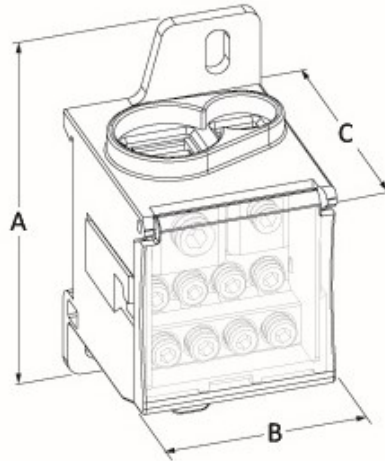


Product Datasheet

RPU3000



Main

Family	Compact Distribution Blocks		
Version	1 Pole		
Code	RPU3000		
Reference	RPU 125-8 S		
Number per package	1		
In(A)	IEC/EN	125 A	
	UL	130 A	
Weight (Kg)	0.161		
A (mm)	75		
B (mm)	40		
C (mm)	48		
Fix. holes space (mm)	62		
Continuous working temp. (°C)	Max +85 °C		

Technical Features

Insulating body: PA 6, UL 94-V0, gray RAL 7035

Cover: PC, UL 94-V2, transparent yellow, manually openable

Conduction block: tinned copper

Clamps: galvanized steel and Al alloy

Screws: tin-plated steel

Halogen free

Index protection IP20 if: on IN → COFLEX with L=9 mm and s≥6x0.8 mm & if on IN/OUT → wire section≥10 mm²; otherwise, Index protection IP10

Quick hook-up on DIN rails

Compliant with standard EN 60947-7-1

UL 1059 standard recognized

Technical Data

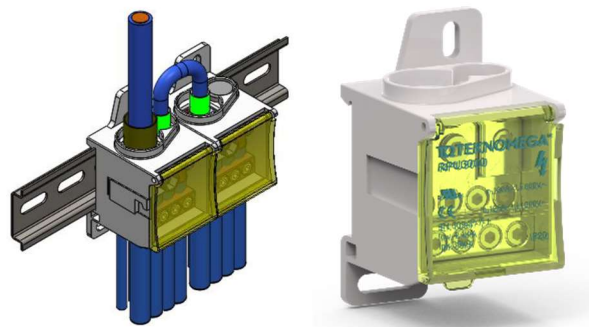
Type	1 Pole, 8 Outputs						
In: 125 A	No.	Dim. (mm)	COFLEX* L (mm)	Stripped wire (mm ²)	Wire with ferrule (mm ²)	Torque (Nm)	Screw
IN →	1	11 x 9	9	10 to 50	10 to 50	6	M8
IN→/ ← OUT	1	8.7 x 6	-	6 to 25	6 to 16	3	M6
← OUT	8	∅ 6.8	-	2.5 to 25	2.5 to 16	3	M6
I _{cw} (kA)	4.4						
I _{pk} (kA)	30						
U _i (V)	1000						

*See COFLEX technical features

I_{cc pk} = Short-circuit current peak value expressed in kA

I_{cw} = Effective value of short-circuit current, duration equal to 1 second, expressed in kA as per standard IEC 60947-7-1

U_i = Nominal Insulation voltage



Please contact Teknomega for non-specified tolerances.