

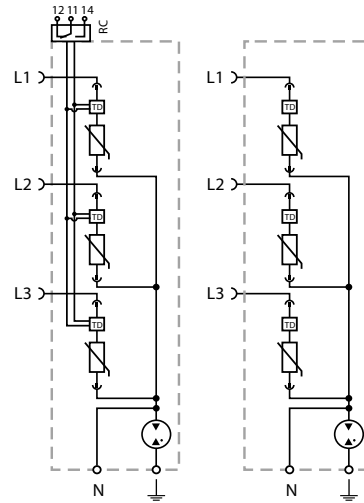
Technical Data

Artikel: 64453

ETITEC M60 T12 300/12,5 3+1 (RC)

IEC Electrical			
Nominal AC Voltage (50/60Hz)		U_n / U_n	240 V
Maximum Continuous Operating Voltage (AC)	(L-N)	U_c	300 V
	(N-PE)	U_c	305 V
Nominal Discharge Current (8/20 μ s)	(L-N)/(N-PE)	I_n	20 kA / 80 kA
Maximum Discharge Current (8/20 μ s)	(L-N)/(N-PE)	I_{max}	50 kA / 100 kA
Impulse Discharge Current (10/350 μ s)	(L-N)/(N-PE)	I_{imp}	12.5 kA / 50 kA
Specific Energy	(L-N)/(N-PE)	W/R	39 kJ / Ω / 625 kJ / Ω
Charge	(L-N)/(N-PE)	Q	6.25 As / 25As
Voltage Protection Level	(L-N)/(N-PE)	U_p	1500V / 1500V
Follow Current Interrupt Rating	(N-PE)	I_n	100A
Response Time	(L-N)/(N-PE)	t_A	< 25ns / < 100ns
Overcurrent Protection (max)			160 A gG
Short-Circuit Current Rating (AC)		I_{SCR}	25 kA
TOV Withstand 5s	(L-N)	U_r	337 V
TOV Safe Fail 120min	(L-N)	U_r	442 V
TOV Withstand 200ms	(N-PE)	U_r	1200 V
Number of Ports			1
Additional Electrical Parameters (Tests performed within internal laboratory)			
Residual Voltage 5 kA (8/20 μ s)		U_{res}	1100 V / 305 V
Overcurrent Protection (min)			160 A gG
Mechanical & Environmental			
Operating Temperature Range		T_a	-40 °C to +85 °C
Permissible Operating Humidity		RH	5%...95%
Altitude (max)			4000 m
Terminal Screw Torque		M_{max}	PH2 / 4.5 Nm
Conductor Cross Section (max)			35 mm ² (Solid, Stranded) / 25 mm ² (Flexible)
Mounting			60 mm Busbar Systems
Degree Of Protection			IP 20 / IP 40 in combination with cover
Housing Material			Thermoplastic: Extinguishing Degree UL 94 V-0
Operating State / Fault Indication			Green Flag / Not Green Flag
Remote Contacts (RC)			Optional
RC Switching Capacity			AC: 250V/ 1A, 125V/ 1A; DC: 48V/0.5A, 24V/0.5 A, 12V/0.5A
RC Conductor Cross Section (max)			1.5 mm ² (Solid)

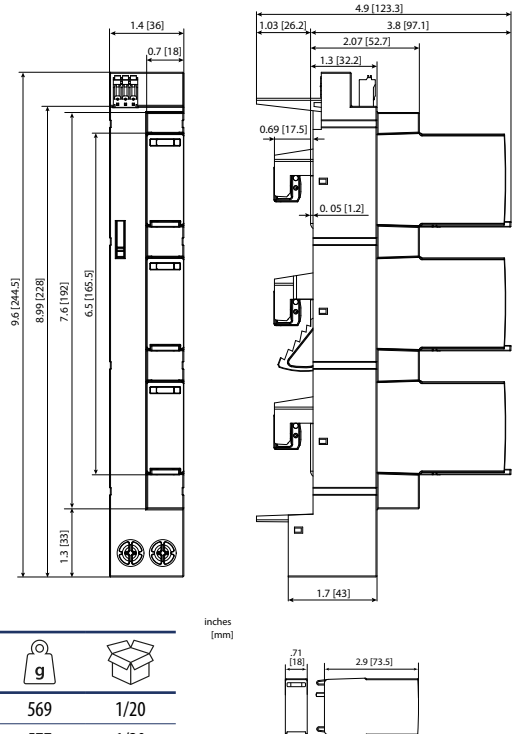
Internal Configuration



Legend

- L Line Busbar Terminal
- Z PE Conductor Terminal
- N Neutral Conductor Terminal
- RC Remote Contacts Terminal (Optional)
- TD Thermal Disconnect

Dimensions



ETITEC M60 T12

Type	Code No.	I_{imp} (10/350) [kA]	I_n / I_{max} (8/20) [kA]	U_c [V AC]	Network	g	1/20
ETITEC M60 T12 300/12,5 3+0	002440850	12,5	20/50	300	TN-C	569	1/20
ETITEC M60 T12 300/12,5 3+0 RC	002440851	12,5	20/50	300	TN-C	577	1/20
ETITEC M60 T12 300/12,5 3+1	002440852	12,5	20/50	300	TT, TN-S	610	1/20
ETITEC M60 T12 300/12,5 3+1 RC	002440853	12,5	20/50	300	TT, TN-S	617	1/20

Replacement module

Type	Code No.	For use with	g	1/28
MOD.ETITEC M60 T12 300/12,5	002440862	ETITEC M60 T12 300/12,5	104	1/28