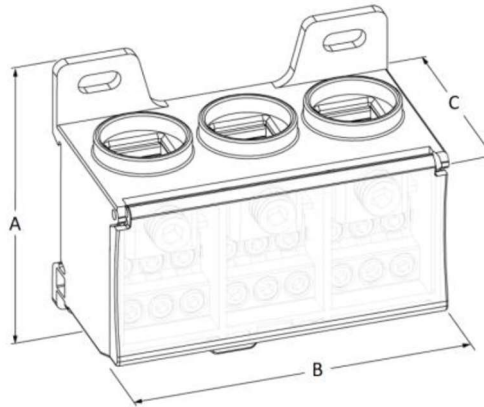


Product Datasheet

RPT3005



Main

Family	Compact Distribution Blocks	
Version	3 Poles	
Code	RPT3005	
Reference	RPT 160-6 S	
Number per package	1	
In(A)	IEC/EN	160 A
	UL	175 A
Weight (Kg)	0.336	
A (mm)	75	
B (mm)	85	
C (mm)	48	
Fix. holes space (mm)	63 and 38	
Continuous working temp. (°C)	Max +85 °C	

Technical Features

Insulating body: PA 6, UL 94-V0, gray RAL 7035

Cover: PC, UL 94-V2, transparent yellow, manually openable

Conduction block: brass

Clamps: galvanized steel and Al alloy

Screws: tin-plated steel

Halogen free

Direct connection with COFLEX

Index protection IP20 if: on IN → COFLEX with L=9 mm and s≥6x0.8 mm or COFLEX with L=13 mm and s=10x0.5 mm; otherwise, Index protection IP10

Quick hook-up on DIN rails

Compliant with standard EN 60947-7-1

UL 1059 standard recognized

Technical Data

Type	3 Poles, 6 Outputs						
In: 160 A	No.	Dim. (mm)	COFLEX* L (mm)	Stripped wire (mm ²)	Wire with ferrule (mm ²)	Torque (Nm)	Screw
IN →	1	13.5 x 11.5	9-13	10 to 70	10 to 50	10	M10
← OUT	6	∅ 6.8	-	2.5 to 25	2.5 to 16	3	M6
I _{cw} (kA)	11						
I _{pk} (kA)	30						
U _i (V)	1000						

*See COFLEX technical features

I_{cc pk} = Short-circuit current peak value expressed in kA

I_{cw} = Effective value of short-circuit current, duration equal to 1 second, expressed in kA as per standard IEC 60947-7-1

U_i = Nominal Insulation voltage



Please contact Teknomega for non-specified tolerances.