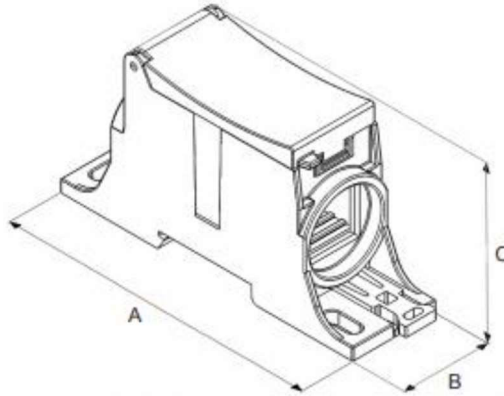


Product Datasheet

PTB6020



Main

Family	Power Terminal Blocks
Version	1 Pole
Code	PTB6020
Reference	PTB 160
Number per package	1
In(A)	160 A
Weight (Kg)	0.115
A (mm)	84
B (mm)	24
C (mm)	54
Continuous working temp. (°C)	Max +85 °C

Technical Features

Insulating body: PA 6, UL 94-V0, gray RAL 7035

Cover: PC, UL 94-V2, transparent yellow, manually opening

Conduction block: tinned copper (suitable for aluminium and copper cable connections)

Clamps: galvanized steel and Al alloy

Screws: galvanized steel

Index protection IP10

Quick hook-up on DIN rails

Compliant with standard EN 60947-7-1

Maximum working temperature: +85 °C

Note: Possibility of connections with COFLEX or J-link with RPC3005



Technical Data

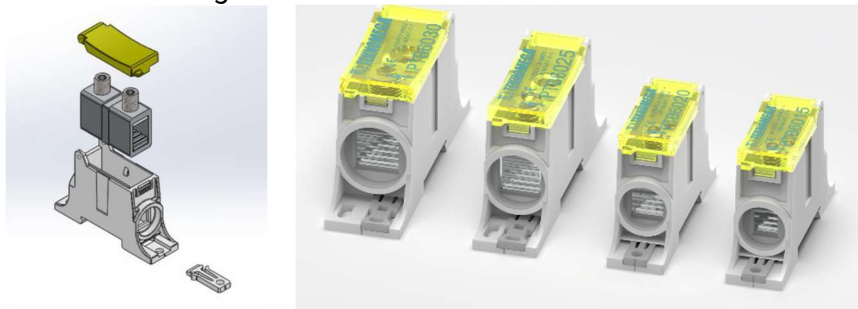
Type	1 Pole, 1 Outputs				
In: 160 A	No.	COFLEX* L (mm)	Stripped wire (mm ²)	Wire with ferrule (mm ²)	Torque (Nm)
IN →	1	3x13x0.5	25 to 70	10 to 50	10
← OUT	1	3x13x0.5	25 to 70	10 to 50	10
I _{cw} (kA)	11.2				
I _{pk} (kA)	41				
U _i (V)	1000				

*See COFLEX technical features

I_{cc pk} = Short-circuit current peak value expressed in kA

I_{cw} = Effective value of short-circuit current, duration equal to 1 second, expressed in kA as per standard IEC 60947-7-1

U_i = Nominal Insulation voltage



Please contact Teknomega for non-specified tolerances.