

Surge arrester ETITEC M60F with Integrated Fuse EN/IEC/VDE: T2,T3/II,III/C,D

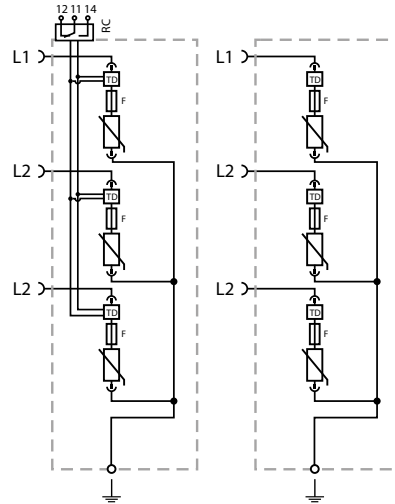
Technical Data

Artikel: 64450

ETITEC M60F T23 300/20 3+0 (RC)

IEC Electrical		
Nominal AC Voltage (50/60Hz)	U_0 / U_n	240 V
Maximum Continuous Operating Voltage (AC)	U_c	300 V
Nominal Discharge Current (8/20 μ s)	I_n	20 kA
Maximum Discharge Current (8/20 μ s)	I_{max}	40 kA
Voltage Protection Level	U_p	1500V
Open Circuit Voltage of Combination Wave Generator (1.2/50 μ s)	U_{oc}	6 kV
Short Circuit Current of Combination Wave Generator (8/20 μ s)	I_{cw}	3 kV
Response Time	t_A	< 25ns
Overcurrent Protection (max)		not required
Short-Circuit Current Rating (AC)	I_{SCCR}	
TOV Withstand 5s	U_T	337 V
TOV Safe Fail 120min	U_T	442 V
Number of Ports		1
Additional Electrical Parameters (Tests performed within internal laboratory)		
Residual Voltage 5 kA (8/20 μ s)	U_{res}	1150 V
Overcurrent Protection (min)		not required
Mechanical & Environmental		
Operating Temperature Range	T_a	-40 °C to +85 °C
Permissible Operating Humidity	RH	5%...95%
Altitude (max)		4000 m
Terminal Screw Torque	M_{max}	PH2 / 4.5 Nm
Conductor Cross Section (max)		35 mm ² (Solid, Stranded) / 25 mm ² (Flexible)
Mounting		60 mm Busbar Systems
Degree Of Protection		IP 20 / IP 40 in combination with cover
Housing Material		Thermoplastic: Extinguishing Degree UL 94 V-0
Operating State / Fault Indication		Green Flag / Not Green Flag
Remote Contacts (RC)		Optional
RC Switching Capacity		AC: 250V/ 1A, 125V/ 1A; DC: 48V/0.5A, 24V/0.5A, 12V/0.5A
RC Conductor Cross Section (max)		1.5 mm ² (Solid)

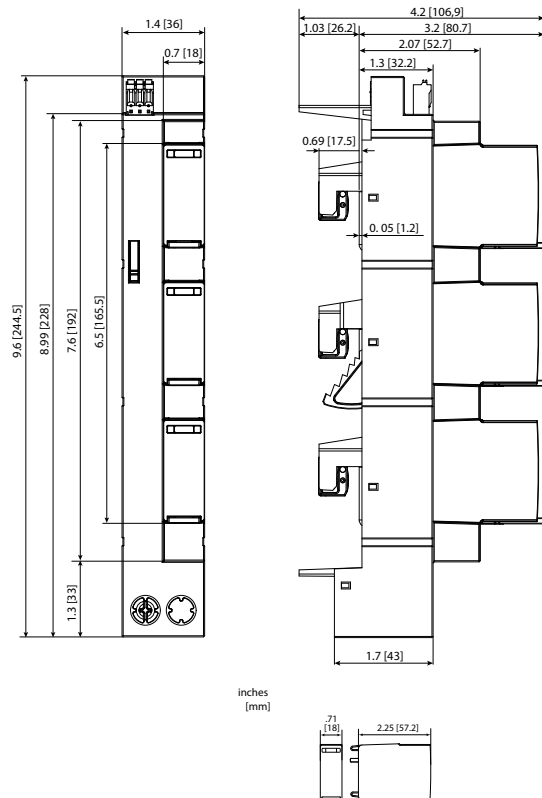
Internal Configuration



Legend

- L Line Busbar Terminal
- Z PEN Conductor Terminal
- RC Remote Contacts Terminal (Optional)
- TD Thermal Disconnecter
- F Integrated Surge Adapted Backup Fuse

Dimensions



Inches [mm]