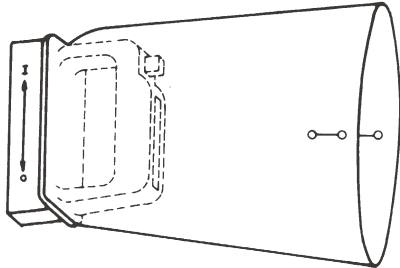


## NH Accessories

### NH fuse handles

Acc. to VDE 0680-4, DIN 43620-4, IEC 60269-2-1 for NH fuse-links and solid links.



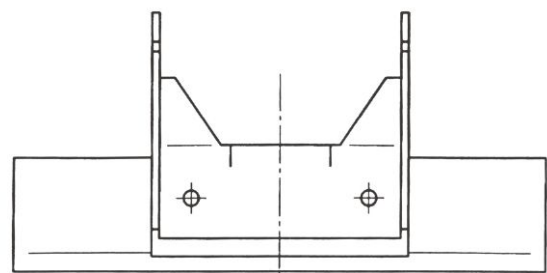
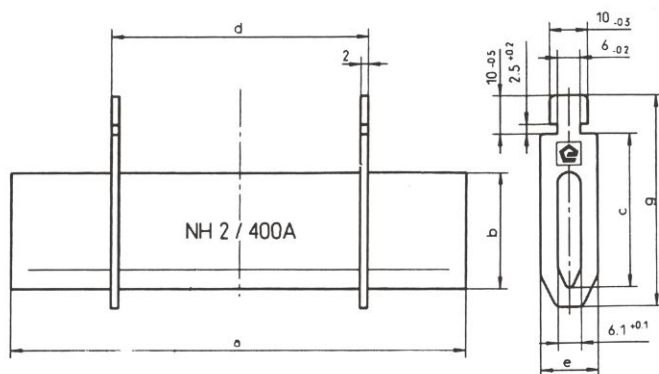
Description	PU	Weight	Order no.
<b>Fuse handle for NH Fuse-Links</b> DIN 43620-1 and DIN VDE 0636-201, size 00 – 3 (can also be used for size 4) with hand protection, without cuff	10	0,208	<b>36020-0010</b>
<b>Fuse handle for NH Fuse-Links</b> DIN 43620-1 and DIN VDE 0636-201, size 00 – 3 (can also be used for size 4) with leather cuff, 352 mm long	3	0,384	<b>36022-0010</b>
<b>Special fuse handle for NH Fuse-Links</b> with a gripping-lug spacing of 120 mm, 1500 V	4	0,301	<b>36018-0010</b>

### NH solid link, size 00 – 4a

NH solid links are suitable for NH fuse-bases acc. to DIN 43620-3 and VDE 0636-201 as well as NH fuse-switches and isolating switches of the corresponding sizes.

Metal gripping lugs

Insulated gripping lugs



Size	Amps	V	Dimensions						Weight	PU	Metal gripping lugs	Weight	PU	Insulated gripping lugs
			a	b	c	d	g	e			Order no.			Order no.
		<b>0,00</b>												
<b>00</b>	160	0,00	77	15	35	47	49	17	0,07	15	<b>36008-0010</b>	0,05	12	<b>36139-0010</b>
<b>0</b>	160	0,00	77	15	35	47	49	17	0,10	10	<b>36009-0010</b>	0,10	6	<b>36140-0010</b>
<b>1</b>	250	0,00	122,5	15	35	65	56	17	0,15	9	<b>36010-0010</b>	0,15	12	<b>36141-0010</b>
<b>2</b>	400	0,00	132,5	20	40	65	64	20	0,21	6	<b>36011-0010</b>	0,25	6	<b>36142-0010</b>
<b>3</b>	630	0,00	147,5	25	48	65	76	20	0,27	6	<b>36012-0010</b>	0,25	6	<b>36143-0010</b>
<b>3</b>	1000	0,00	147,5	32	60	65	76	20	0,27	6	<b>36012-0020</b>	0,25	6	<b>36144-0010</b>
<b>3L</b>	1000	0,00	147,5	32	60	65	70	20	-	-	-	0,35	10	<b>36015-0020</b>
<b>4</b>	1250	0,00	203	32	60	120	96	96	0,60	10	<b>36013-0010</b>	-	-	-
<b>4a</b>	1600	0,00	200	50	85	65	96	25	0,59	6	<b>36014-0010</b>	-	-	-