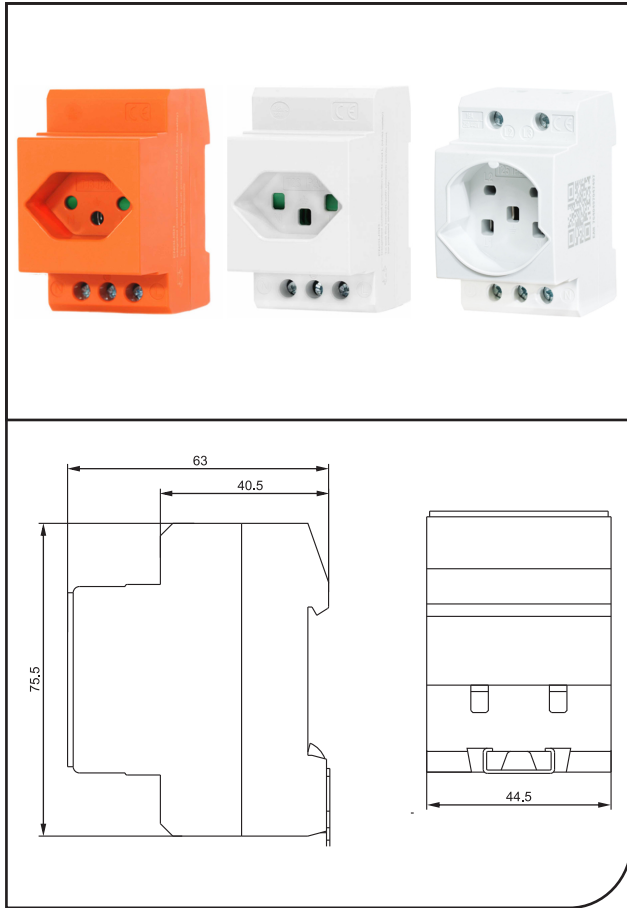


Din Rail Mountable Socket

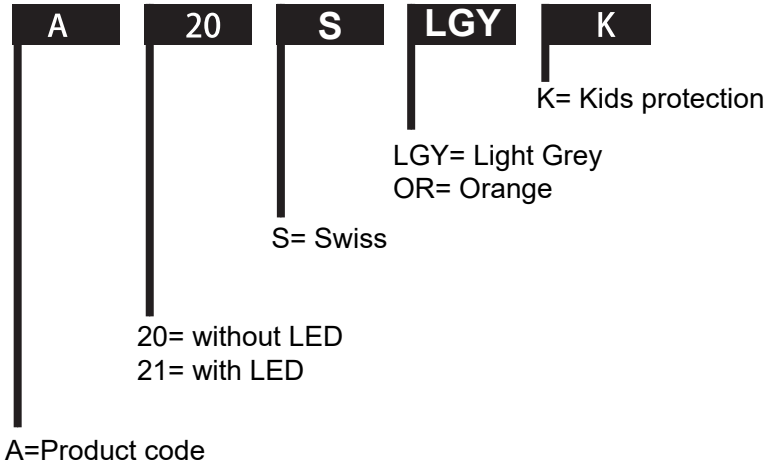


NORMRAHMEN



1, General

1.1, Type Description



1.2, Material: Cover-PA, Contact-CuZn37

1.3, Ingress Protection: IP20

1.4, Din rail mounting: 35mm DIN rail

1.5, Certification: CE

1.6, OEM: Mould brand and type

Din Rail mountable Socket	Typ	Rated Current (A)	Rated Voltage (V)	Ambient Operation Temperature	Packing (PCS)	Color	Code	
							Type Code	Article
	T13	10A	250V	-20°C – +60°C	5	RAL 7035	A20/S/LGY	89953
	T13	10A	250V	-20°C – +60°C	5	RAL 2003	A20/S/OR	89954
	T23	16A	250/400V	-20°C – +60°C	5	RAL 7035	A20/S/LGY	89955
	T23	16A	250/400V	-20°C – +60°C	5	RAL 2003	A20/S/OR	89956
	T25	16A	250/400V	-20°C – +60°C	5	RAL 7035	A20/S/LGY	89957
	T25	16A	250/400V	-20°C – +60°C	5	RAL 2003	A20/S/OR	89958

The socket, mounted in an easily accessed position, provides a quick connection for assembly tools, servicing equipment, and other electrical equipment.