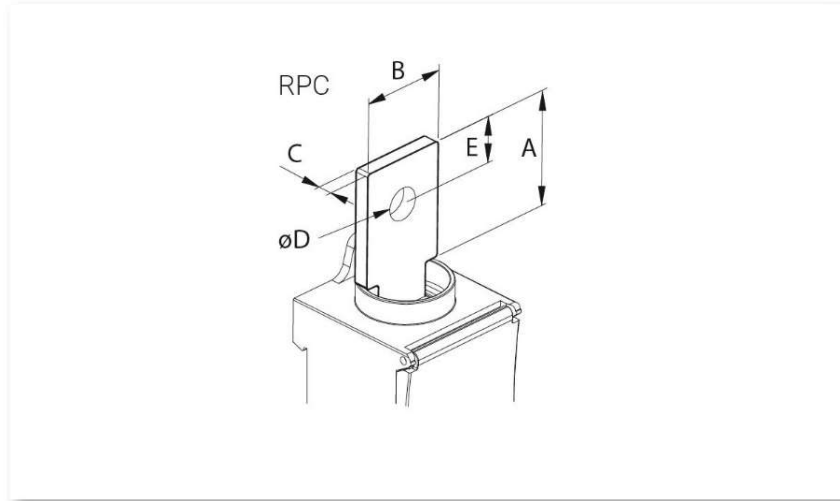


Product Datasheet

RPC3015



Main

Family	Distribution blocks
Version	Terminal entry for RPU
Code	RPC3015
Reference	RPC 400A
Number per package	10
In (A)	400
Weight (kg)	0.098
A (mm)	40
B (mm)	30
C (mm)	5
D (mm)	11
E (mm)	16

Technical Features

Material: Tinned copper

It allows connections between PTBs or Distribution Blocks and Co-Flex or J-Link.

To connect J-links to PTBs or Distribution Blocks the use of RPC adapters is necessary.

Allows direct connection between PTBs or Distribution Blocks and switches.

RPC3015 is compatible with RPU3015 and PTB6030.



Please contact Teknomega for non-specified tolerances.