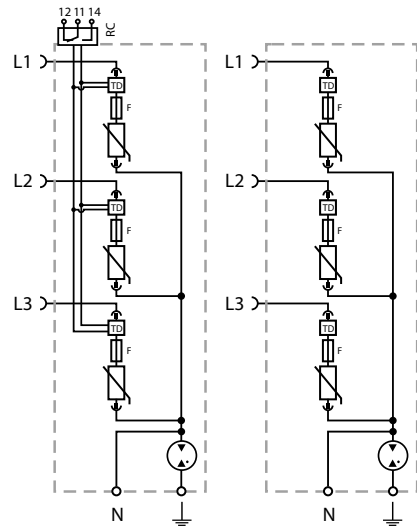


Technical Data

Artikel: 64451

Internal Configuration

ETITEC M60F T23 300/20 3+1 RC			
IEC Electrical			
Nominal AC Voltage (50/60Hz)		U_n / U_n	240 V
Maximum Continuous Operating Voltage (AC)	(L-N)	U_c	300 V
	(N-PE)	U_f	305 V
Nominal Discharge Current (8/20 μ s)	(L-N)/(N-PE)	I_n	20 kA / 40 kA
Maximum Discharge Current (8/20 μ s)	(L-N)/(N-PE)	I_{max}	40 kA / 65 kA
Voltage Protection Level	(L-N)/(N-PE)	U_p	1500V / 1500V
Open Circuit Voltage of Combination Wave Generator (1.2/50 μ s)	(L-N)/(N-PE)	U_{oc}	6 kA / 6 kA
Short Circuit Current of Combination Wave Generator (8/20 μ s)	(L-N)/(N-PE)	I_{cw}	3 kA / 3 kA
Follow Current Interrupt Rating	(N-PE)	I_f	100A
Response Time	(L-N)/(N-PE)	t_A	< 25ns / < 100ns
Overcurrent Protection (max)			not required
Short-Circuit Current Rating (AC)		I_{scCR}	
TOV Withstand 5s	(L-N)	U_T	337 V
TOV Safe Fail 120min	(L-N)	U_T	442 V
TOV Withstand 200ms	(N-PE)	U_T	1200 V
Number of Ports			1
Additional Electrical Parameters (Tests performed within internal laboratory)			
Residual Voltage 5 kA (8/20 μ s)		U_{res}	1150 V
Overcurrent Protection (min)			not required
Mechanical & Environmental			
Operating Temperature Range		T_a	-40 °C to +85 °C
Permissible Operating Humidity		RH	5%...95%
Altitude (max)			4000 m
Terminal Screw Torque		M_{max}	PH2 / 4.5 Nm
Conductor Cross Section (max)			35 mm ² (Solid, Stranded) / 25 mm ² (Flexible)
Mounting			60 mm Busbar Systems
Degree Of Protection			IP 20 / IP 40 in combination with cover
Housing Material			Thermoplastic: Extinguishing Degree UL 94 V-0
Operating State / Fault Indication			Green Flag / Not Green Flag
Remote Contacts (RC)			Optional
RC Switching Capacity			AC: 250V/ 1A, 125V/ 1A; DC: 48V/0.5A, 24V/0.5A, 12V/0.5A
RC Conductor Cross Section (max)			1.5 mm ² (Solid)



Legend

- L Line Busbar Terminal
- N Neutral Conductor Terminal
- Z PE Conductor Terminal
- RC Remote Contacts Terminal (Optional)
- TD Thermal Disconnecter
- F Integrated Surge Adapted Backup Fuse

ETITEC M60F T23 with integrated fuse

Type	Code No.	I_n / I_{max} (8/20) [kA]	U_{oc} / I_n	U_c [V AC]	Network		
ETITEC M60F T23 300/20 3+0	002440858	20/40	6kV/3kA	300	TN-C	463	1/20
ETITEC M60F T23 300/20 3+0 RC	002440859	20/40	6kV/3kA	300	TN-C	471	1/20
ETITEC M60F T23 300/20 3+1	002440860	20/40	6kV/3kA	300	TT, TN-S	499	1/20
ETITEC M60F T23 300/20 3+1 RC	002440861	20/40	6kV/3kA	300	TT, TN-S	507	1/20

Replacement module

Type	Code No.	For use with		
MOD.ETITEC M60F T23 300/20	002440864	ETITEC M60F T2 300/20	69	1/28