

Combined Lightning Current and Surge Arrester ETITEC SM60 T12 300/12,5 3+1 RC



Location of Use: Main Distribution Boards,
60 mm Busbar Systems

Network Systems: TT, TN-S

Mode of Protection: L-N, N-PE

IEC/EN: Class I+II / Type 1+2

Housing: Pluggable design

Compliance: IEC 61643-11:2011
EN 61643-11:2012 + A11:2018



Technical Data

ETITEC SM60 T12 300/12,5 3+1 RC

300

IEC Electrical

Nominal AC Voltage (50/60Hz)		U_o/U_n	240 V
Maximum Continuous Operating Voltage (AC)	(L-N)	U_c	300 V
	(N-PE)	U_c	305 V
Nominal Discharge Current (8/20 μ s)	(L-N)/(N-PE)	I_n	20 kA / 80 kA
Maximum Discharge Current (8/20 μ s)	(L-N)/(N-PE)	I_{max}	65 kA / 100 kA
Impulse Discharge Current (10/350 μ s)	(L-N)/(N-PE)	I_{imp}	12.5 kA / 50 kA
Specific Energy	(L-N)/(N-PE)	W/R	39 kJ / Ω / 625 kJ / Ω
Charge	(L-N)/(N-PE)	Q	6.25 As / 25As
Voltage Protection Level	(L-N)/(N-PE)	U_p	1500 V / 1500 V
Follow Current Interrupt Rating	(N-PE)	I_{fi}	100A
Response Time	(L-N)/(N-PE)	t_A	< 25ns / < 100ns
Overvoltage Category			III
Maximum Backup fuse, if required			315 A gG
Short-Circuit Current Rating (AC)		I_{SCCR}	25 kA
TOV Withstand 5s	(L-N)	U_T	442 V
TOV SafeFail 120min	(L-N)	U_T	442 V
Number of Ports			1

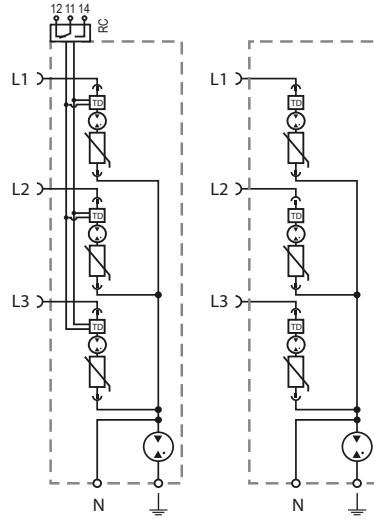
Mechanical & Environmental

Operating Temperature Range	T_a	-40 °F to +185 °F [-40 °C to +85 °C]
Permissible Operating Humidity	RH	5%...95%
Pollution Degree		2
Altitude (max)		13123 ft [4000 m]
Terminal Screw Torque	M_{max}	PH2 / 40 lbf·in [4.5 Nm]
Conductor Cross Section (max)		2 AWG (Solid, Stranded) / 4 AWG (Flexible)
		35 mm ² (Solid, Stranded) / 25 mm ² (Flexible)
Mounting		60 mm Busbar Systems
		Width: 12, 15, 20, 25, 30 mm
		Thickness: 5 mm, 10 mm (with removed spacers)
Degree Of Protection		IP 20*
Housing Material		Thermoplastic: Extinguishing Degree UL 94 V-0
Operating State / Fault Indication		Green Flag / Not Green Flag
Remote Contacts (RC)		Optional
RC Switching Capacity		AC: 250 V / 1 A, 125 V / 1 A; DC: 48V / 0.5 A, 24 V / 0.5 A, 12 V / 0.5 A
RC Conductor Cross Section (max)		16 AWG (Solid) / 1.5 mm ² (Solid)
Overvoltage Category		III

*IP 40 (in combination with cover)

Legend

- L Line Busbar Terminal
- PE Conductor Terminal
- N Neutral Conductor Terminal
- RC Remote Contacts Terminal (Optional)
- TD Thermal Disconnect

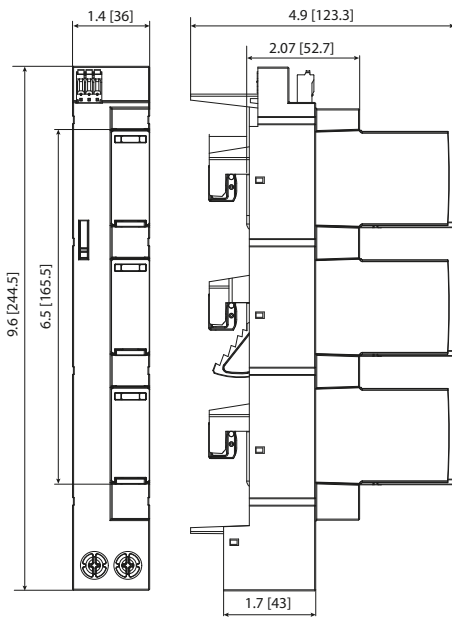


Order Information

Order Code

002440868

Dimensions & Packaging



Complete Unit

ETITEC SM60 T12 300/12,5 3+1 RC

Weight	[grams]	608
Basic Packaging EAN		3838400160171
Transport Packaging EAN		3838400160164