

ETITEC

Surge arresters M60 series

Combined Lightning Current and Surge Arrester T12 or T23 for direct mounting on 60 mm busbar systems (5 or 10mm thickness). Can be used in industry or other applications where 60mm busbar system is used. No additional adapters or accessories needed. T2 available also with integrated fuse (see M60F), no additional prefuse needed for SPD overcurrent protection. Pluggable design enables also simple module replacement.

Features:

- // optical indication of faulty device (green ok, red false)
- // remote signalisation (RC version only)
- // MOV (metal oxide varistor) technology, no coprdination needed

Surge arrester ETITEC M60

EN/IEC/VDE: T1,T2/I,II/B,C

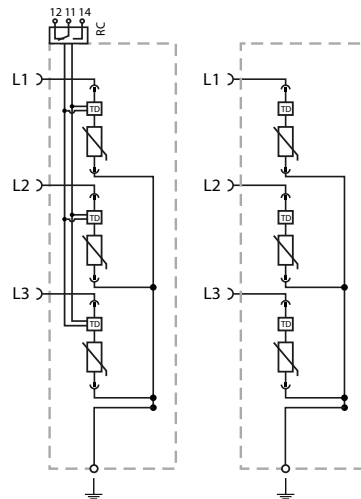
Technical Data

Artikel: 64452

ETITEC M60 T12 300/12,5 3+0 (RC)

IEC Electrical		
Nominal AC Voltage (50/60Hz)	U_o / U_n	240 V
Maximum Continuous Operating Voltage (AC)	U_c	300 V
Nominal Discharge Current (8/20 μ s)	I_n	20 kA
Maximum Discharge Current (8/20 μ s)	I_{max}	50 kA
Impulse Discharge Current (10/350 μ s)	I_{imp}	12.5 kA
Specific Energy	W/R	39 kJ / Ω
Charge	Q	6.25 As
Voltage Protection Level	U_p	1500V
Response Time	t_a	< 25ns
Overcurrent Protection (max)		160 A gG
Short-Circuit Current Rating (AC)	I_{SCCR}	25 kA
TOV Withstand 5s	U_T	337 V
TOV Safe Fail 120min	U_T	442 V
Number of Ports		1
Additional Electrical Parameters (Tests performed within internal laboratory)		
Residual Voltage 5 kA (8/20 μ s)	U_{res}	1100 V
Overcurrent Protection (min)		160 A gG
Mechanical & Environmental		
Operating Temperature Range	T_a	-40 °C to +85 °C
Permissible Operating Humidity	RH	5%...95%
Altitude (max)		4000 m
Terminal Screw Torque	M_{max}	PH2 / 4.5 Nm
Conductor Cross Section (max)		35 mm ² (Solid, Stranded) / 25 mm ² (Flexible)
Mounting		60 mm Busbar Systems
Degree Of Protection		IP 20 / IP 40 in combination with cover
Housing Material		Thermoplastic: Extinguishing Degree UL 94 V-0
Operating State / Fault Indication		Green Flag / Not Green Flag
Remote Contacts (RC)		Optional
RC Switching Capacity		AC: 250V/ 1A, 125V/ 1A; DC: 48V/0.5A, 24V/0.5 A, 12V/0.5A
RC Conductor Cross Section (max)		1.5 mm ² (Solid)

Internal Configuration



Legend

- L Line Busbar Terminal
- Z PEN Conductor Terminal
- RC Remote Contacts Terminal (Optional)
- TD Thermal Disconnecter