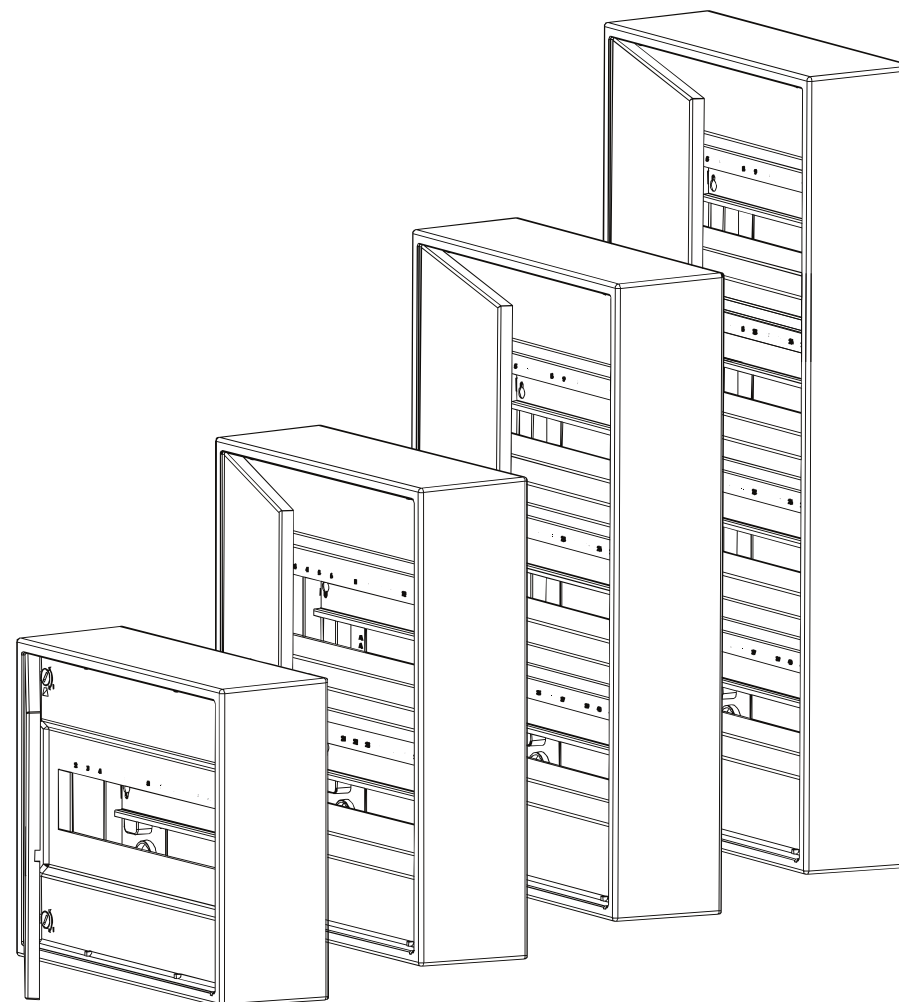
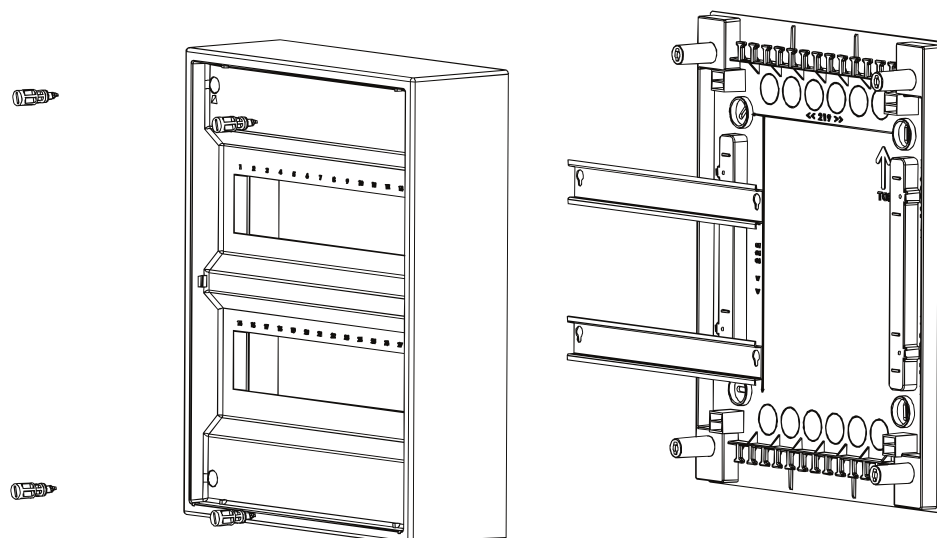


ETI

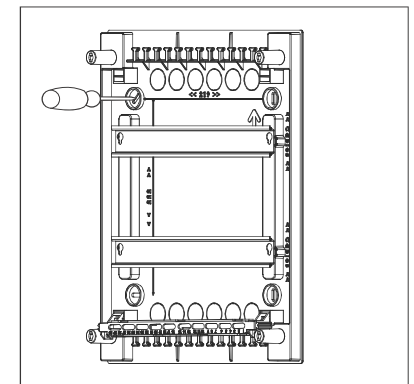
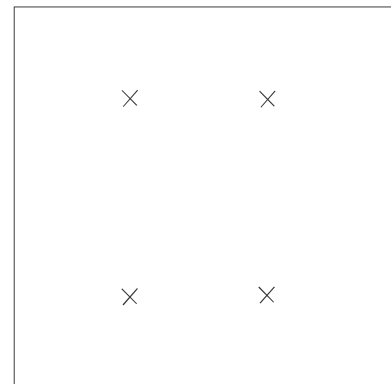
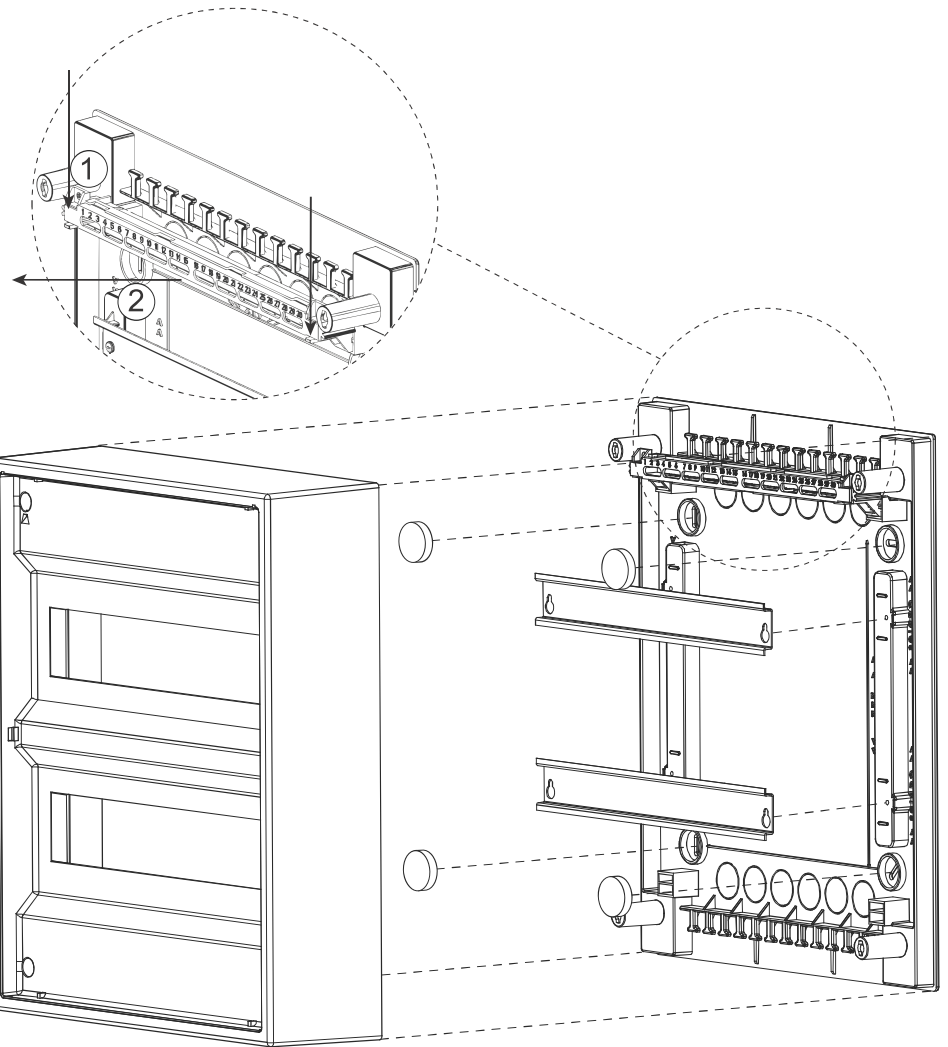
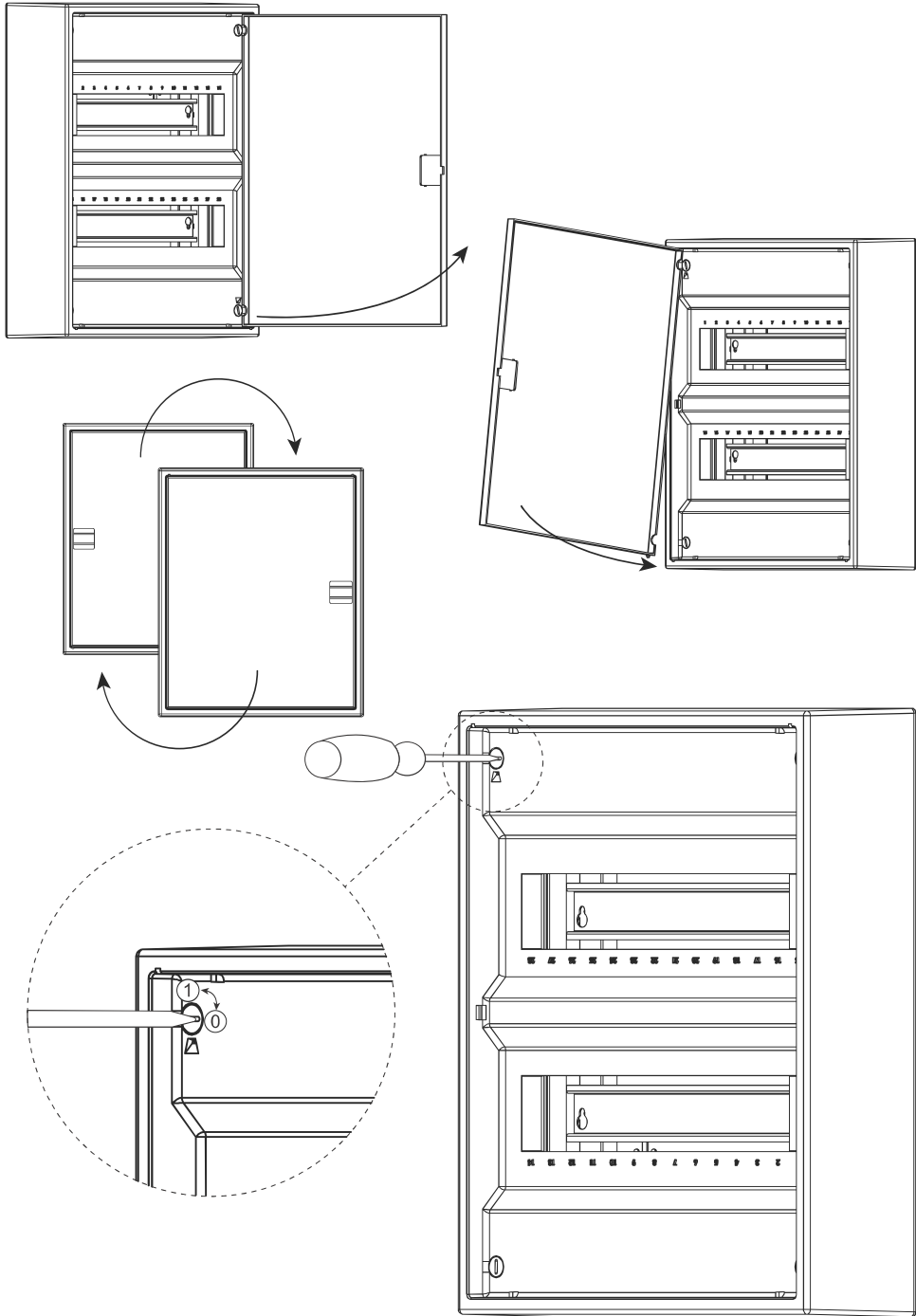
	A	B	C	D	E	Pde	Static load
ACT12M	251 mm	310 mm	96 mm	219 mm	97 mm	> 30 W	1200 g
ACT24M	377 mm	310 mm	96 mm	219 mm	222 mm	> 40 W	1600 g
ACT36M	502 mm	310 mm	96 mm	219 mm	347 mm	> 60 W	2000 g
ACT48M	650 mm	310 mm	96 mm	219 mm	472 mm	> 60 W	2500 g



For indoor locations ($\leq 50\%$ RH at max. $+40^{\circ}\text{C}$ or for example 90% RH at $+20^{\circ}\text{C}$)
 Temperature range: -25°C ... $+60^{\circ}\text{C}$, Rating Voltage AC 400 V; IP40; Class II, IK07
 According to: IEC 60670; IEC 62208

ETI Elektroelement d.o.o
Obrezija 5
1411 Izlake
Slovenia

ETI Polam Sp.z.o.o.
ul. Jana Pawła II 18
06-100 Pułusk
Polska



DIN RAIL MOUNTING