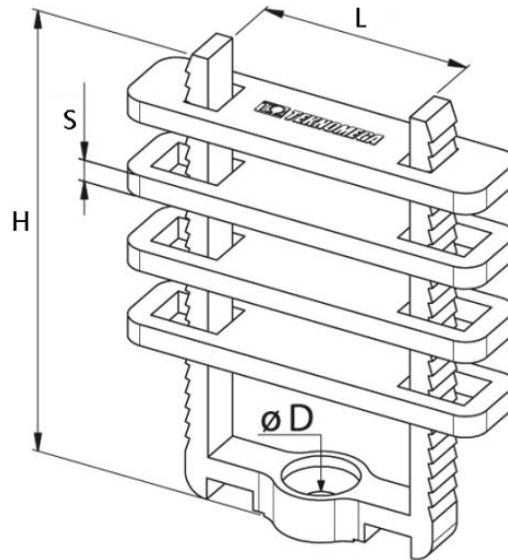


Product Datasheet

DZP3000



Main

Family	Flexible bars
Version	Spacer and overlapping support
Code	DZP3000
Reference	DZP BFX32
Number per package	10
Sect. max Ω Flex	32 x 10 x 1
H (mm)	83
L (mm)	38
S (mm)	4
\emptyset D (mm)	7

Technical features

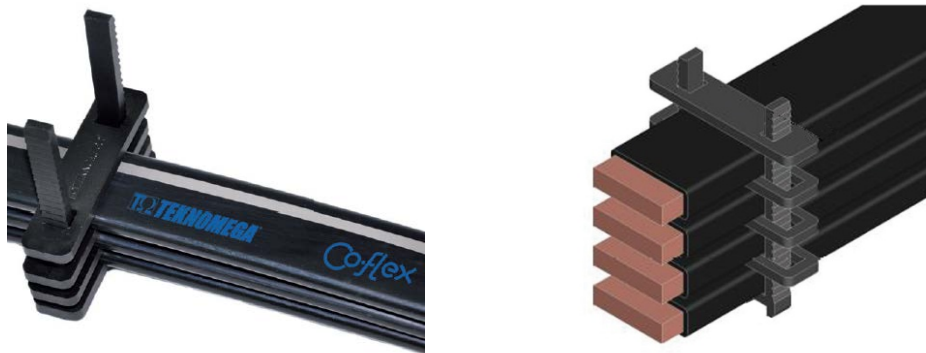
Material: polyamide 6.6 reinforced with 30% fiberglass

Color: black

Self-extinguishing: UL 94-V0

Applications and Advantages

- For use with insulated flexible bars up to 32x10x1
- Possibility to fit up to 4 flexible bars
- Fixing to the panel board structure by means of screw (not supplied) to be inserted at the base of the spacer
- Accurate and ordered fitting inside the panel board
- Optimal heat dissipation thanks to the correct spacing between bar and bar
- Working temperature: -40°C to + 140°C
- Continuous working temperature: +125°C



Please contact Teknomega for non-specified tolerances.